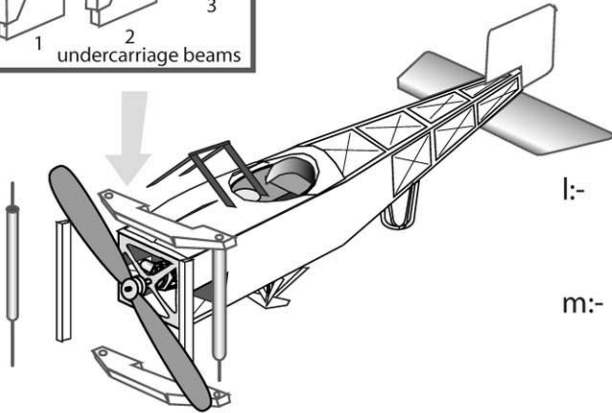
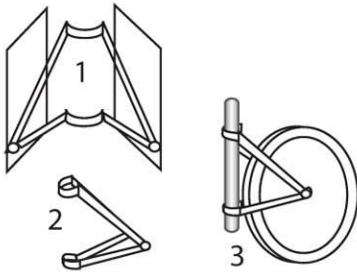


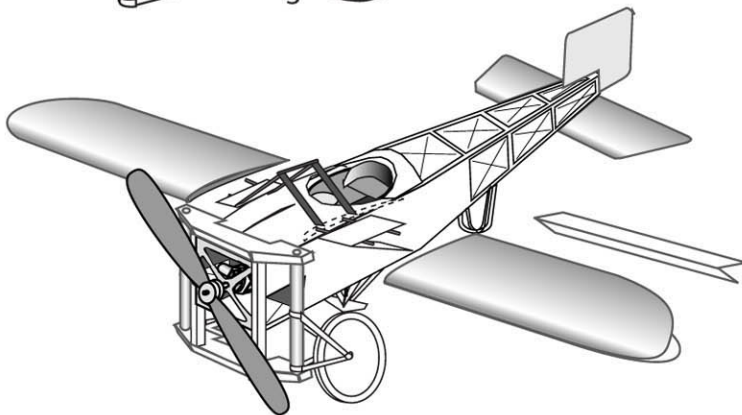
k:- Fold under carriage bearers over two layers of scrap card then (when dry) cut to size glue one to front top of fuselage



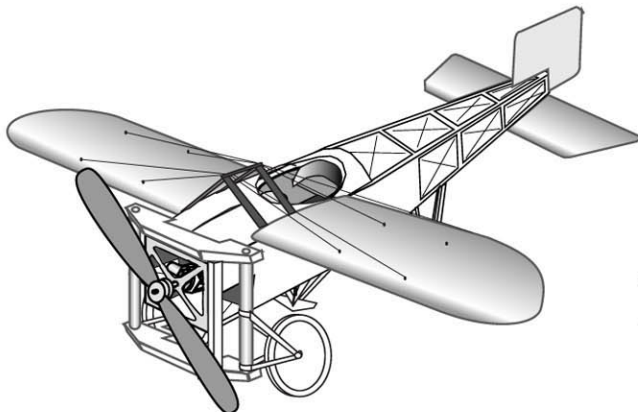
- l:- Glue two posts beside front of fuselage and two rolled posts to outer ends of bearers fit bottom bearer.
- m:- Assemble queen posts and fit to top of fuselage.



n:- Fold the wheel forks as shown (1) and form as (2) wrap around post with lowest loop level with bottom. Make up the wheels and fit into forks (3).



- o:- Fold the wings and glue in a leading edge stiffener made from scrap card. Glue the wings to shape gluing only at edges.
- p:- Fit 2 wires through top deck and wrap with scrap card to mount the wings.



For advanced modelers rigging with monofilament can be carried out,